

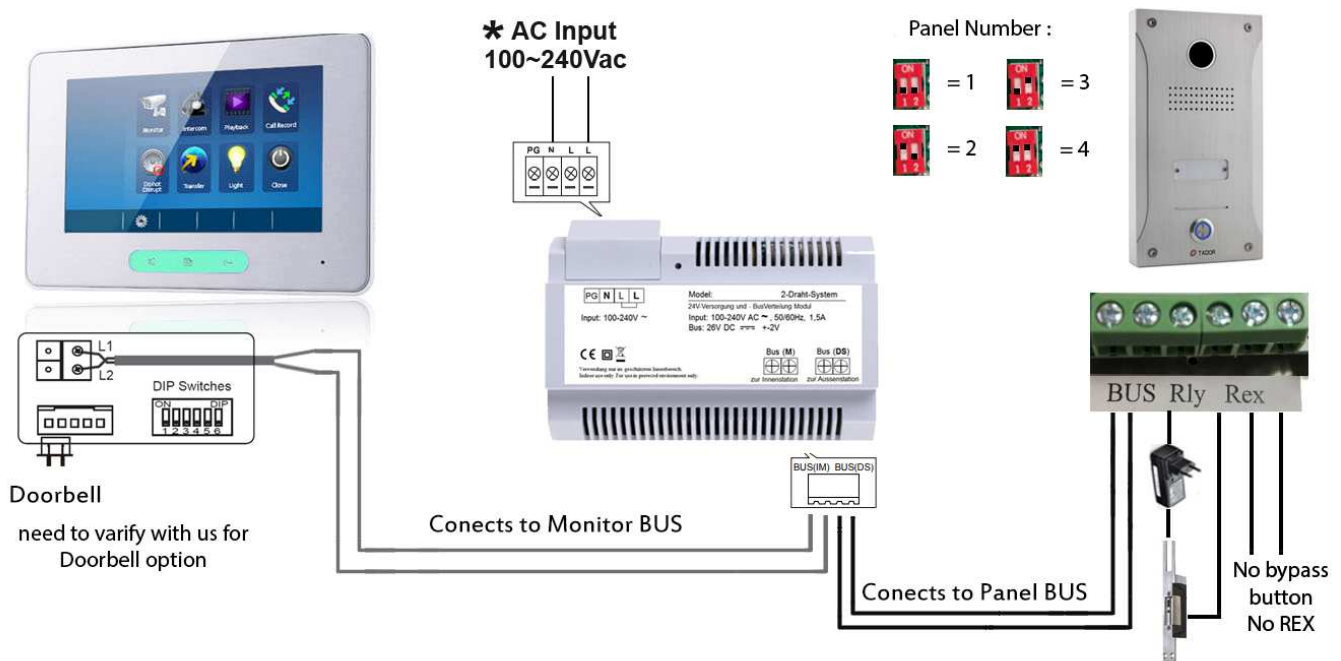
# TOPAZ

---

## User Guide

### TOPAZ





## 1. General

Topaz Door entry system is Audio-Video door entry system 2 wires based for villa houses and apartments.

The system works on 2 wires and very easy to program and install.

It allows connecting up to 4 panels and 32 monitors.

The door entry panel is Anti-Vandal and made to work under hard weather conditions Allow to see the visitor and open the from the monitor by single click

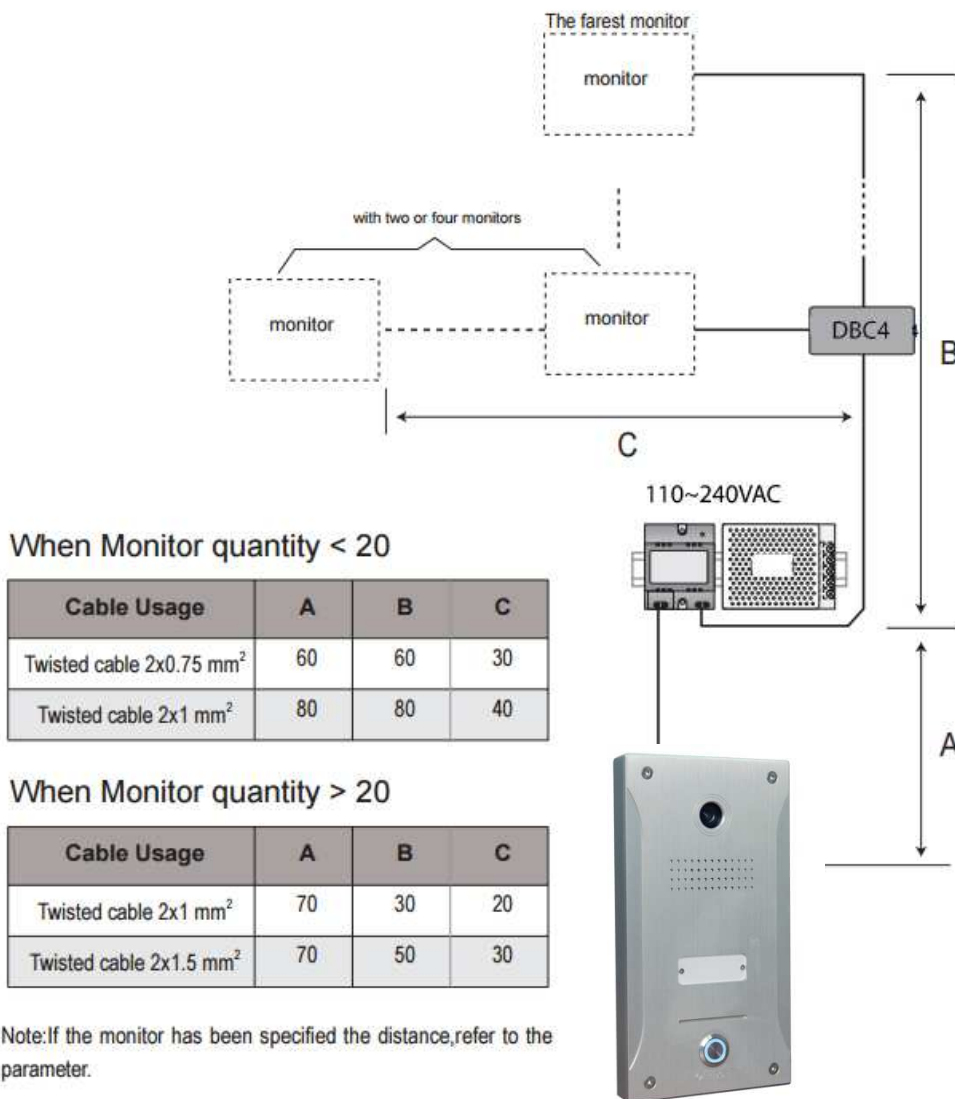
## 2. Specifications

Require 2 wires only	Can work with telephone calling with additional Tele adapter
Possible to connect 32 monitor for system	Can work with mobile calling with additional GSM adapter
Possible to connect 4 Panels for system	102 wide degree angle
Stand Hard weather conditions	Panel with 1/2/4 calling buttons available

### 3. Power supply details

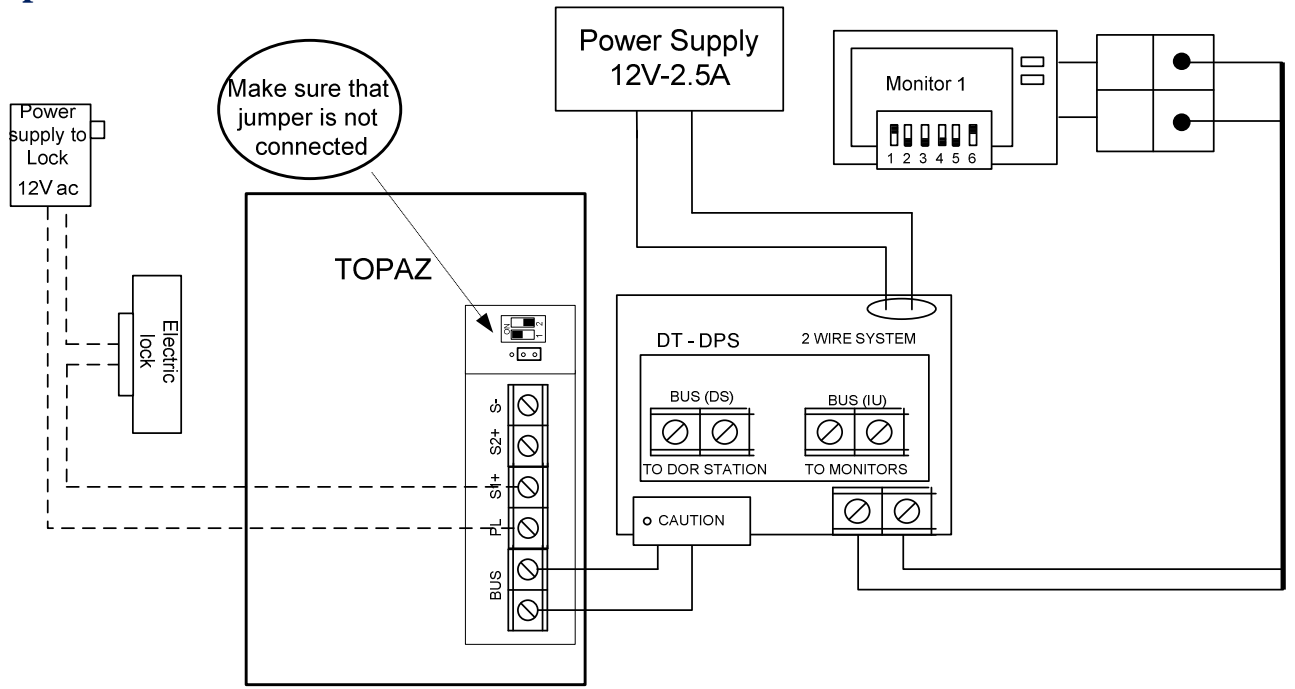
Operating voltage			
Transformer type	Description	Amount of monitors	Amount of Panels
Ns-100	24V 4.5A	Up to 3	1
Ns-150	24V 6.5A	Up to 7	+ 2
Ns-350	24V 14.6A	Up to 32	+3
Electric or magnetic Normally close and Normally open			Lock Type
Surface 213*116*36	Flush Mount 170*90*28	Sizes	

### 4. Cable Distance Information

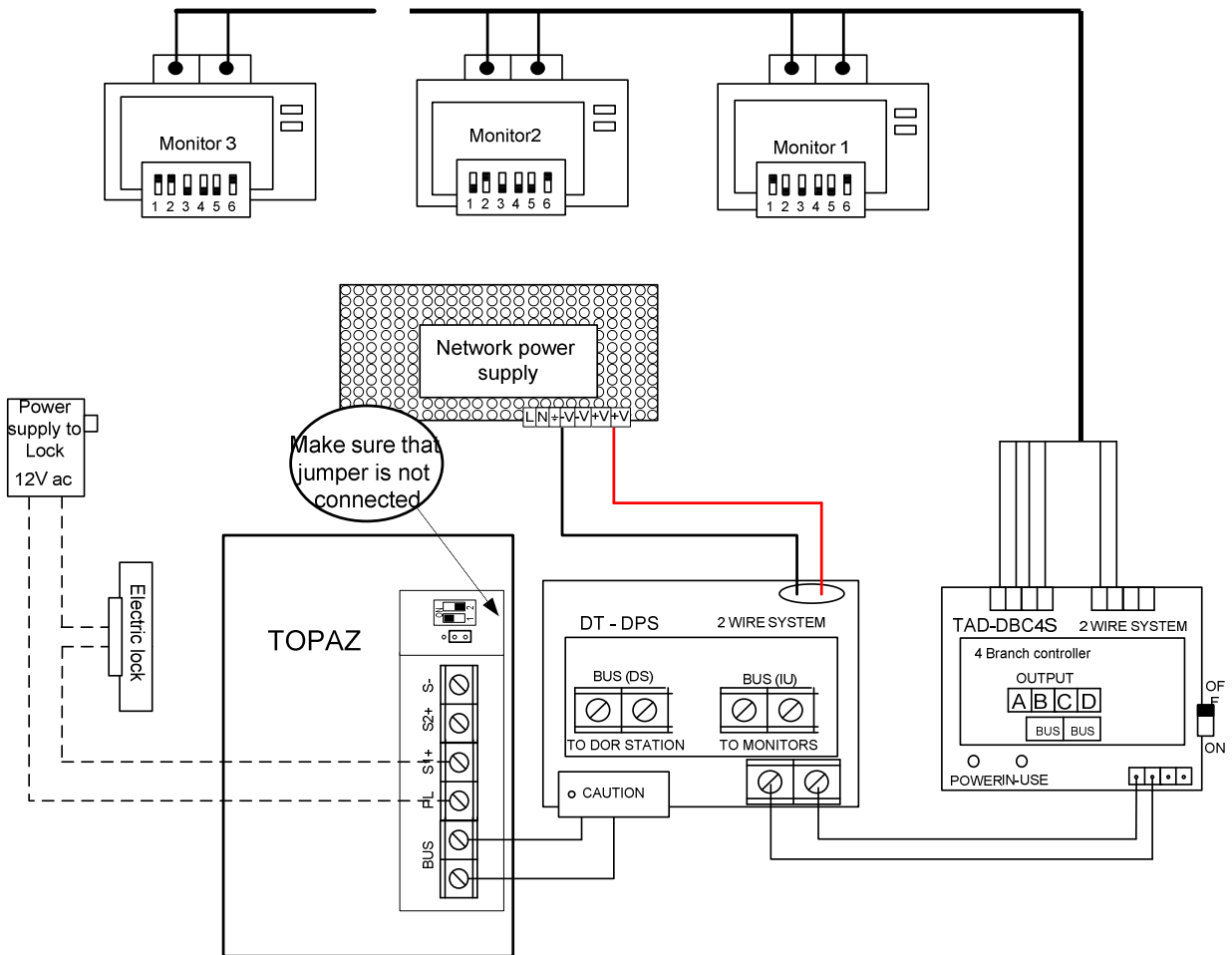


# 5. Installation diagram

## A. Topaz Panel + 1 Monitor

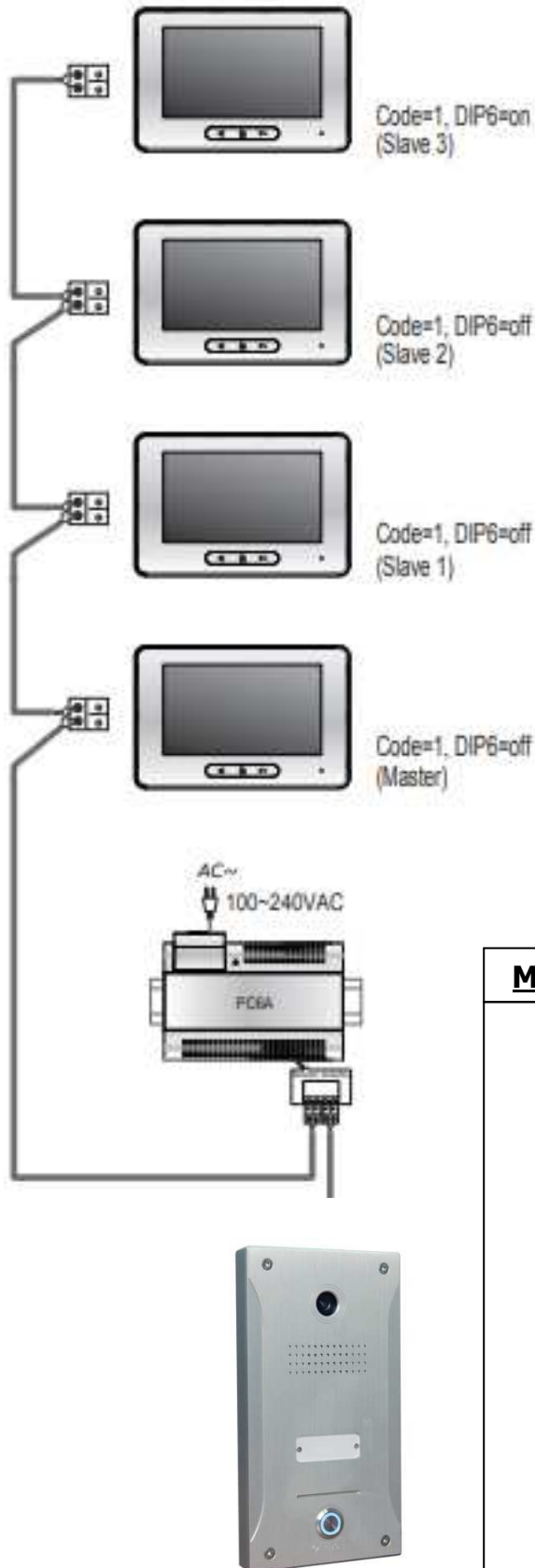


## B. Topaz panel + more than one monitor



- 250mA, we advise to use external power supply for maximum results as 250mA is lock that made for small voltage and might be to weak for the system

### Basic IN-OUT Wiring in Standard Mode

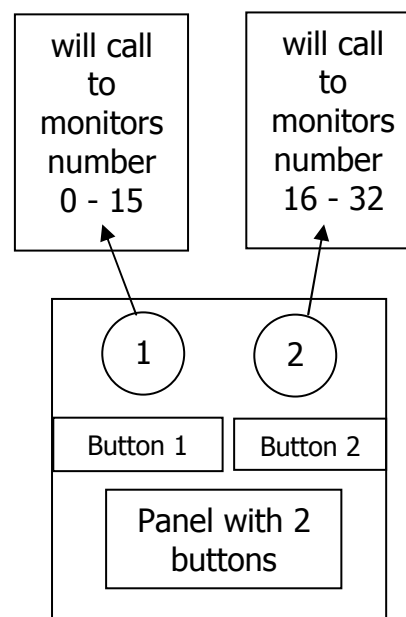


- The door station is also compatible with other monitors which are provided by our company.
- Please set door station into group calling mode if there is more than 4 monitors in villa(Refer to Page 9)
- Distributor is unnecessary in full audio system, and IN-OUT mode is recommended.
- For the last monitor connected to the system, DIP6 should set to **ON**.

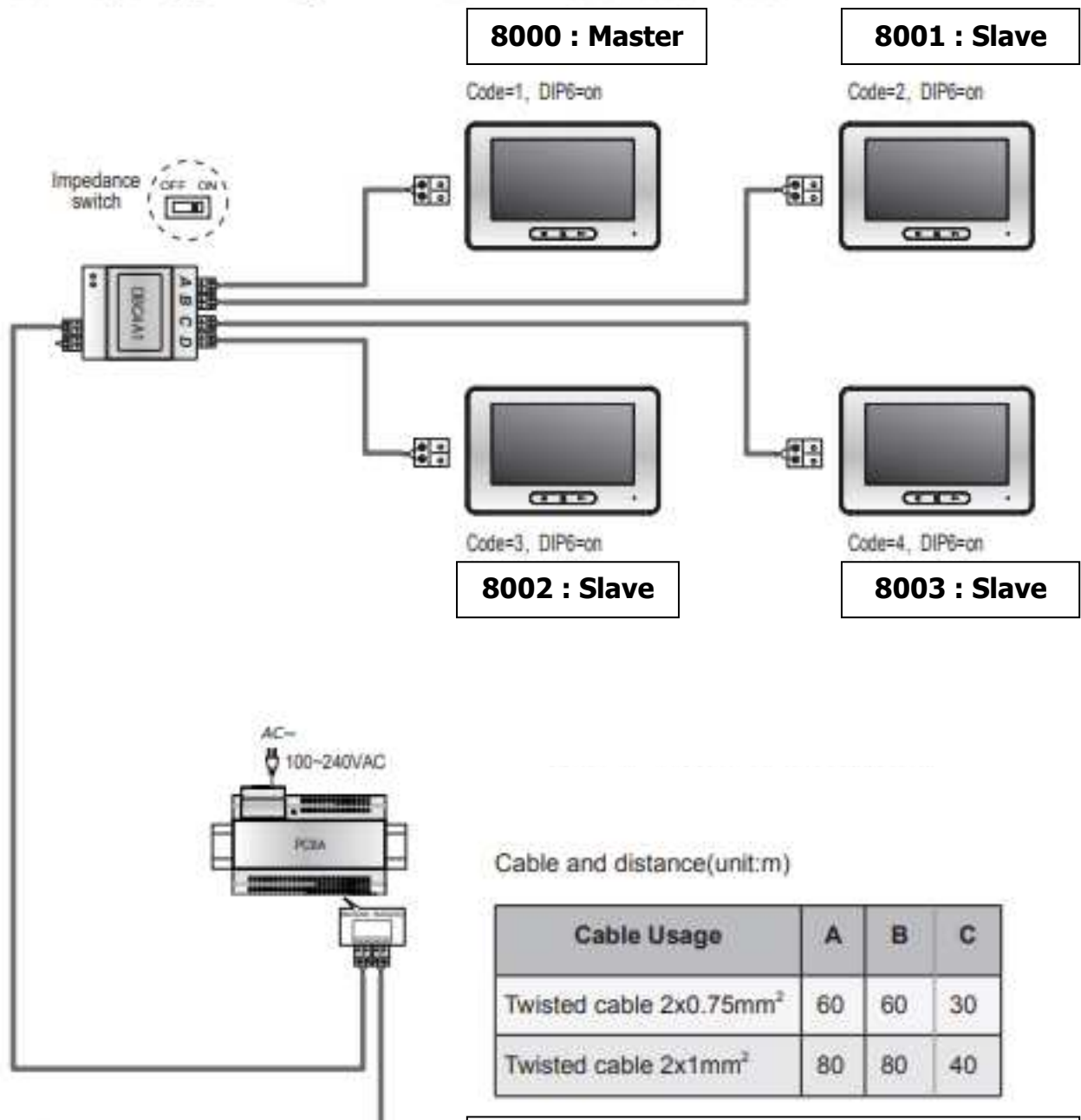
Cable and distance(unit:m)

Cable Usage	A	B	
		≤2 IM	≤16 IM
Twisted cable 2x0.75mm <sup>2</sup>	60	100	40
Twisted cable 2x1mm <sup>2</sup>	80	120	60

### Monitor settings for panel with 2 buttons



## Star Topology Wiring With DBC4A1 in Standard Mode



- 1
- 2
- 3
- 4

Button number 1 will call monitor number 1  
 Button number 2 will call monitor number 2

If you want more than one monitor in the same house (Possible: 1 to 4 monitor) need to program:  
 Monitor 1: master  
 Monitor 2: Slave  
 Monitor 3: Slave  
 Monitor 4: Slave

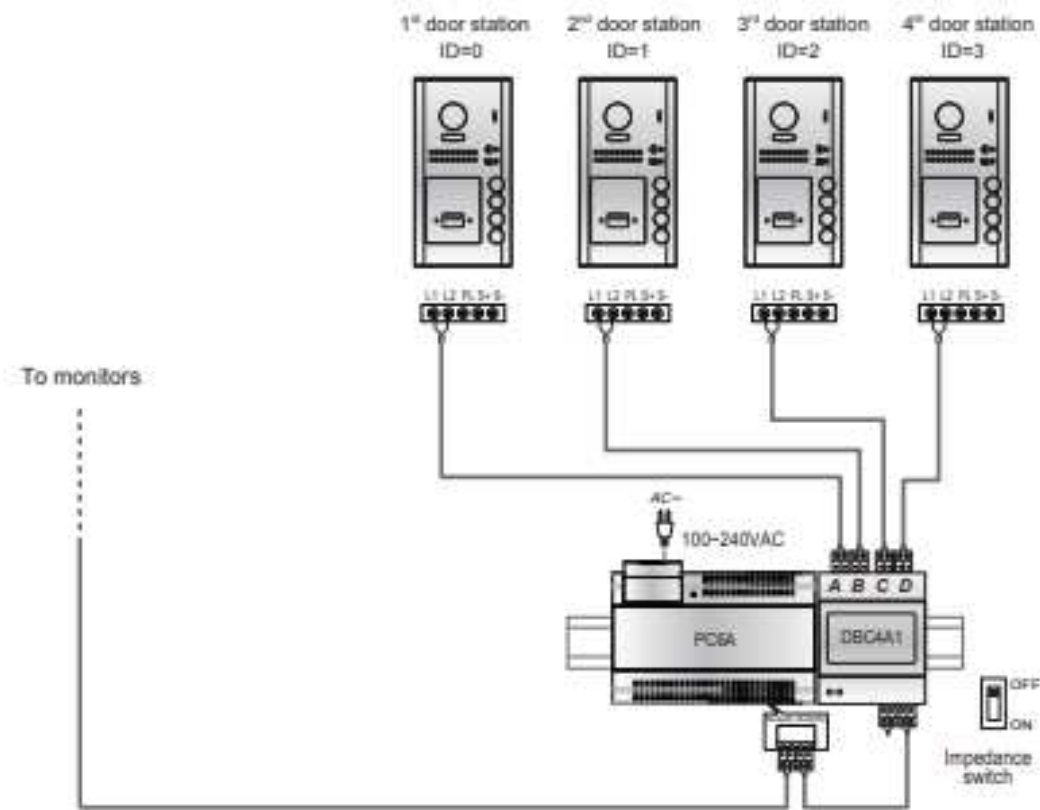
- The door station is also compatible with other monitors which our provided by Tador.
- It can be extended 3 slave monitors for each monitor ( Better use with extra distributor for extension )

It is possible to connect up to four panels in a system, and if want to do that you will need to set each panel a different number.

Below setting will allow you to set panel number: 1 - 4

Panel 4	Panel 3	Panel 2	Panel 1
<div style="border: 1px solid black; padding: 5px; margin-bottom: 5px;">           on    off  <input checked="" type="checkbox"/>    <input type="checkbox"/>    1         </div> <div style="border: 1px solid black; padding: 5px;">           on    off  <input checked="" type="checkbox"/>    <input type="checkbox"/>    2         </div>	<div style="border: 1px solid black; padding: 5px; margin-bottom: 5px;">           on    off  <input type="checkbox"/>    <input checked="" type="checkbox"/>    1         </div> <div style="border: 1px solid black; padding: 5px;">           on    off  <input checked="" type="checkbox"/>    <input type="checkbox"/>    2         </div>	<div style="border: 1px solid black; padding: 5px; margin-bottom: 5px;">           on    off  <input checked="" type="checkbox"/>    <input type="checkbox"/>    1         </div> <div style="border: 1px solid black; padding: 5px;">           on    off  <input type="checkbox"/>    <input checked="" type="checkbox"/>    2         </div>	<div style="border: 1px solid black; padding: 5px; margin-bottom: 5px;">           on    off  <input type="checkbox"/>    <input checked="" type="checkbox"/>    1         </div> <div style="border: 1px solid black; padding: 5px;">           on    off  <input type="checkbox"/>    <input checked="" type="checkbox"/>    2         </div>

### Connecting Multi Door Stations



- Max.4 door stations can be connected to the system.
- Ensure to set the correct address for each door station, Refer to Page 8 for more details about the address setting of door stations.

### FAQ:

**1. Unit doesn't show Picture / Audio?**

It may be a problem with infrastructure check below:  
 Disconnect the unit and connect again in a short distance between the monitor, panel and PC6A if unit show picture, there might be a problem with wires quality or distance.  
 + Try to improve the cable quality  
 + Try Reduce distance between PC6A and Monitor.



Thank you for buying one of our products

[www.Tador.com](http://www.Tador.com)

---

All rights reserved Tador Technologies LTD